

Ultrasonic Homogenizers

Model 150VT and Model 300VT



Model 150VT



* Shown with optional 5/32" (3.9mm) diameter titanium stepped micro tip

CATALOG NO.	VOLTAGE
0-121-0001	115 Volts/60Hz
0-121-0002	230 Volts/50Hz

* Titanium tips purchased separately

FEATURES	
Power Output	0 - 150 WATTS
Output Frequency	20k Hz
Automatic Tuning	Yes
Microprocessor Control	N/A
Duty Cycle (Pulsing)	10 - 90%
Timer	1 - 15 minutes
Display	LED
Sound Abating Chamber	Optional

DIMENSIONS	
Generator	12.0 in W x 10.0 in D x 4.0 in H 30.5 cm W x 25.4 cm D x 10.2 cm H
Transducer	3.5 in Dia. x 4.0 in L 8.9 cm Dia. x 10.2 cm L

Model 300VT



* Shown with optional 1/2" (12.7mm) diameter solid titanium tip

CATALOG NO.	VOLTAGE
0-122-0001	115 Volts/60Hz
0-122-0002	230 Volts/50Hz

* Titanium tips purchased separately

FEATURES	
Power Output	0 - 300 WATTS
Output Frequency	20k Hz
Automatic Tuning	Yes
Microprocessor Control	N/A
Duty Cycle (Pulsing)	10 - 90%
Timer	1 - 15 minutes
Display	LED
Sound Abating Chamber	Optional

DIMENSIONS	
Generator	12.0 in W x 10.0 in D x 4.0 in H 30.5 cm W x 25.4 cm D x 10.2 cm H
Transducer	3.5 in Dia. x 4.0 in L 8.9 cm Dia. x 10.2 cm L

Ultrasonic Homogenizers

Model 3000



Model 3000



CATALOG NO.	VOLTAGE
0-127-0001	115 Volts/60Hz
0-127-0002	230 Volts/50Hz

* Titanium tips purchased separately

FEATURES	
Power Output	0 - 300 WATTS
Output Frequency	20k Hz
Automatic Tuning	Yes
Microprocessor Control	N/A
Duty Cycle (Pulsing)	10 - 90%
Timer	1 - 15 minutes
Meter Type	LED
Sound Abating Chamber	Integrated

DIMENSIONS	
Generator	10.5 in W x 12.0 in D x 23.5 in H 26.7 cm W x 30.5 cm D x 59.7 cm H
Transducer	3.5 in Dia. x 4.0 in L 8.9 cm Dia. x 10.2 cm L

* Shown with optional 1/2" (12.7mm) diameter solid titanium tip

Ultrasonic Homogenizers

Small Volume Accessories



Titanium Micro Tips (Micro Horns)



CATALOG NO.	0-120-0005
TIP DIAMETER	5/32" (3.8 mm)
PROCESSING VOL.	300 µl - 15 ml
INTENSITY	VERY HIGH
AMPLITUDE	225 µm
TYPE	STEPPED

1/8" (3.2 mm) DIA. TAPERED MICRO TIP SHOWN ATTACHED TO 1/2" (12.7 MM) DIA. TAPPED TIP



CATALOG NO.	0-120-0007*	0-120-0008*
TIP DIAMETER	1/8" (3.1 mm)	3/16" (4.8 mm)
PROCESSING VOL.	500 µl - 10 ml	750 µl - 25 ml
INTENSITY	VERY HIGH	HIGH
AMPLITUDE	240 µm	200 µm
TYPE	TAPERED	TAPERED

* 2 PIECE DESIGN AND MUST BE USED IN CONJUNCTION WITH THE 1/2" DIA. TAPPED TIP, CAT NO. 0-120-0010

Ultrasonic Homogenizers

Medium to Large Volume Accessories



Titanium Standard Tips (Horns)

The terms Tip and Horn are interchangeable. Typically, as the Tip diameter decreases, the intensity or amplitude of the radiating face increases as does the overall length.



CATALOG NO.	0-120-0009	0-120-0010*	0-120-0011
TIP DIAMETER	3/8" (9.2 mm)	1/2" (12.7 mm)	1/2" (12.7 mm)
PROCESSING VOL.	5 ml - 200 ml	10 ml - 300 ml	10 ml - 300 ml
INTENSITY	HIGH	MEDIUM HIGH	MEDIUM HIGH
AMPLITUDE	170 μ m	140 μ m	140 μ m
TYPE	SOLID	TAPPED	SOLID



CATALOG NO.	0-120-0012*	0-120-0013
TIP DIAMETER	3/4" (19.1 mm)	3/4" (19.1 mm)
PROCESSING VOL.	25 ml - 600 ml	25 ml - 600 ml
INTENSITY	MEDIUM	MEDIUM
AMPLITUDE	70 μ m	70 μ m
TYPE	TAPPED	SOLID

Sold Tips

Solid Tips are machined from a single piece of Titanium and are preferred when processing liquids with high surface tension. In addition, Solid Tips are generally less likely to cause sample cross contaminations.



CATALOG NO.	0-120-0014*	0-120-0015
TIP DIAMETER	1" (25.4 mm)	1" (25.4 mm)
PROCESSING VOL.	50 ml - 1000 ml	50 ml - 1000 ml
INTENSITY	LOW	LOW
AMPLITUDE	40 μ m	40 μ m
TYPE	TAPPED	SOLID

Tapped Tips

All Tapped Tips include 1 Titanium Replacement Flat Tip. Flat Tips should be replaced when they show signs of excessive "pitting" and intensity/performance is greatly decreased.

* INCLUDES 1 TITANIUM REPLACEABLE FLAT TIP

Ultrasonic Homogenizers

Medium to Large Volume Accessories (continued)



Titanium Replacement Flat Tips



CATALOG NO.	0-120-0016	0-120-0017	0-120-0018
TIP DIAMETER	1/2" (12.7 mm)	3/4" (19.1 mm)	1" (25.4 mm)



3/4" (19.1 mm) DIA. REPLACEMENT FLAT TIP
SHOWN ATTACHED TO 3/4" (19.1 mm) DIA.
TAPPED TIP

Ultrasonic Homogenizers

Cup Tips and Accessories



Titanium Cup Tips

The Titanium Cup Tips provide an easy way to process samples without direct exposure to the homogenizer tip, avoiding cross contamination.

Titanium Cup Tips can simultaneously process sealed vial, test tubes or micro tubes with identical parameters.



250 ml CUP TIP AND 8 POSITION MICRO TUBE TRAY SHOWN ATTACHED TO TRANSDUCER ASSEMBLY



CATALOG NO.	0-120-0019*	0-120-0020*
TIP DIAMETER	1 1/2" (38.1 mm)	2" (50.8 mm)
PROCESSING VOL.	250 ml	2000 ml
INTENSITY	MEDIUM	LOW

* MUST BE POWERED BY THE MODEL 300VT OR 3000 ONLY



Micro Tube Tray Holders



CATALOG NO.	0-120-0019	0-120-0020
NO. OF TUBES	8	20

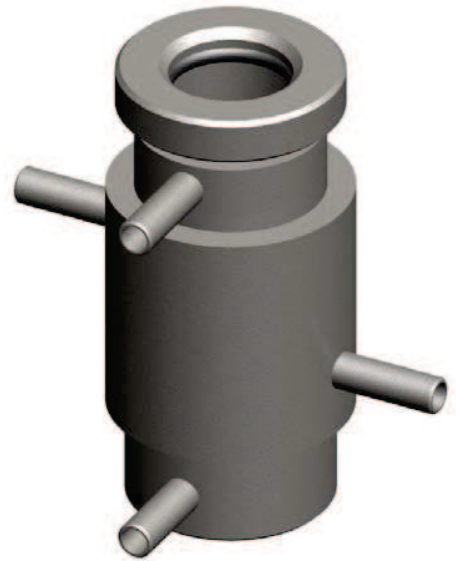
If cooling is required with heat sensitive samples, cold water can be fed through the Cup Tip using the provided barbed fittings. The Cup Tip can also be used without the cooling feature by simply using the provided port plugs in place of the barbed fittings.

Ultrasonic Homogenizers

Continuous Flow Chamber



This chamber permits continuous processing of liquids, and is designed for emulsifying and homogenizing applications. The continuous flow chamber may be sealed in a closed system when mounted, so that infectious materials can be used. It is equipped with a water flow-through cooling jacket to enable the temperature of the processed solution to be maintained at a desired level.



CATALOG NO. 0-120-0026*
Continuous Flow Chamber

* REQUIRES THE 3/4" (19.1 mm) DIAMETER SOLID TITANIUM TIP
CATALOG NO. 0-120-0013



Continuous Flow Chamber
shown with 3/4" Dia.
Solid Titanium Tip and
Transducer assembly.

Ultrasonic Homogenizers

SONABOX Sound Abating Chamber



SONABOX

The SONABOX reduces cavitation sound emitted during processing when used in conjunction with the Model 150VT and 300 VT Ultrasonic Homogenizer. These harmonics are produced by the vessel walls and fluid surface, and can be disturbing with extended operation. The clear acrylic door permits viewing of the sample while protecting the operator against accidental splashing. An access port for tubing is also provided for use with the accessory cooling jacket or continuous flow chamber.



CATALOG NO. 0-125-0001
SONABOX Sound Abating Chamber

